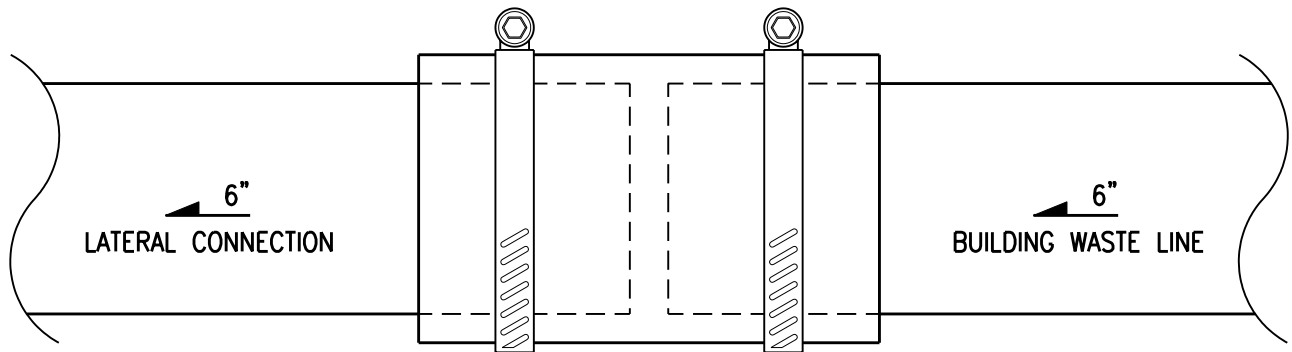


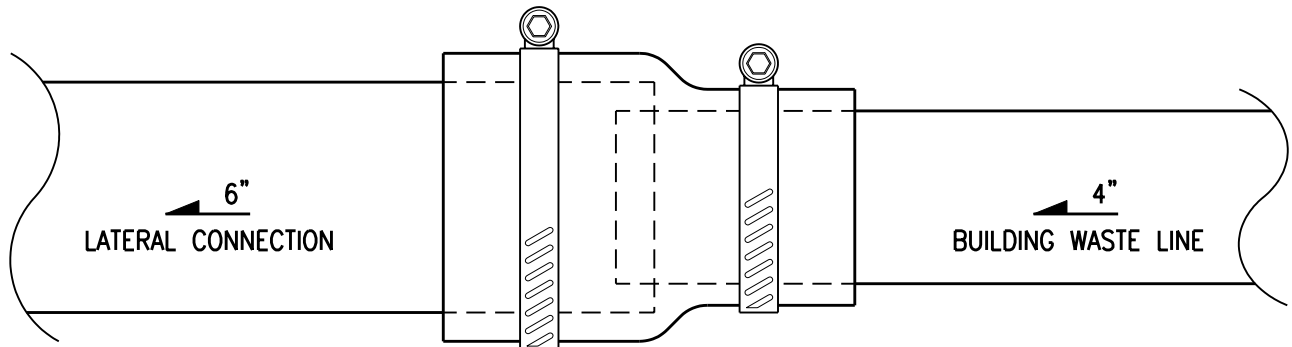
# ALLOWABLE CONNECTIONS

## SANITARY LATERAL CONNECTION TO BUILDING WASTE LINE

FLEXIBLE COUPLING



FLEXIBLE REDUCING COUPLING



NOTE: ALL COUPLING CLAMPS SHALL BE STAINLESS STEEL.

DATE: 10/20/06

APPROVED: \_\_\_\_\_  
VILLAGE ENGINEER: ADAM D. VORIS, P.E.

**ADR**  
& ASSOCIATES, LTD.

88 WEST CHURCH ST  
NEWARK, OHIO 43055  
(740) 345-1921 (ph)  
(740) 345-4994 (fax)

~ THE VILLAGE OF HANOVER, OHIO ~

**ALLOWABLE  
LATERAL TO HOUSE CONNECTIONS**

SEWER TAP INSTALLATION  
STANDARD CONSTRUCTION  
DRAWINGS

DRAWING NO.  
**SAN-3.1**  
SHEET 1 OF 1